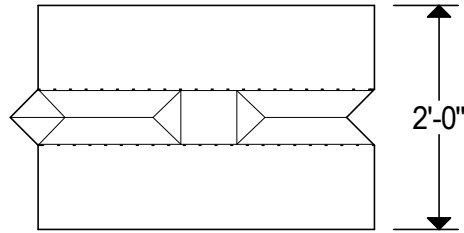
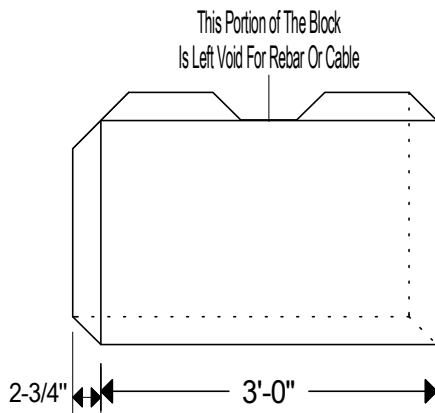


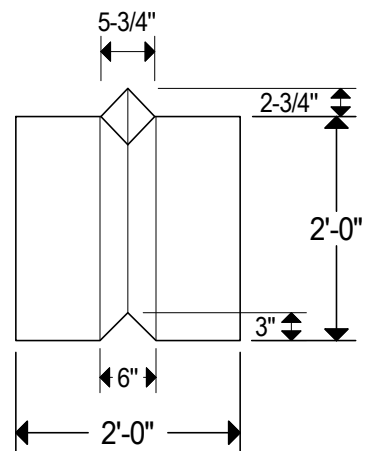
# Plan



# Elevation



# Side View Elevation



## Notes:

Lifting Plan - Use Rebar Or Cable.

Weight - 1,800 lbs.



**CONCRETE  
BLOCK SUPPLY**

833-763-1711

3.0'x 2.0'x 2.0' O.D. Half Bin Block Detail

(V - Wedge)

No Scale